



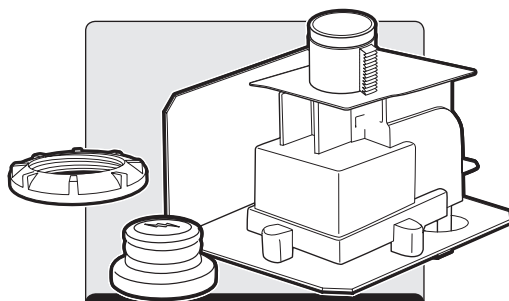
GENESIS®

MAIN IGNITER MODULE / AND IGNITER ELECTRODE REPLACEMENT INSTRUCTIONS

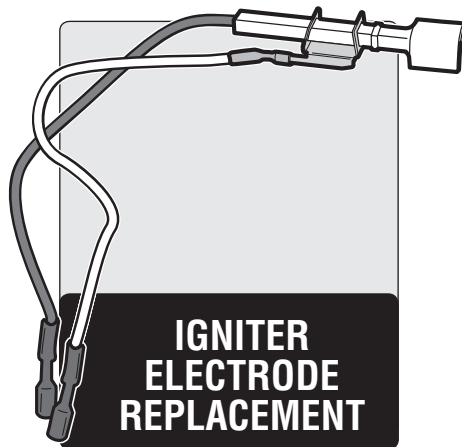
**THIS PROCEDURE SHOULD ONLY BE PERFORMED BY AN AUTHORIZED
WEBER-STEPHEN PRODUCTS LLC SERVICE TECHNICIAN**

⚠ WARNING: GENUINE WEBER-STEPHEN REPLACEMENT PARTS MUST BE USED FOR ANY REPAIR OR REPLACEMENT. YOUR ACTIONS, IF YOU FAIL TO FOLLOW THIS PRODUCT WARNING, MAY CAUSE A FIRE, AN EXPLOSION, OR STRUCTURAL FAILURE RESULTING IN SERIOUS PERSONAL INJURY OR DEATH AS WELL AS DAMAGE TO PROPERTY. (WILL VOID ALL WARRANTY PROTECTION.)

⚠ DANGER: BEFORE PERFORMING ANY WORK MAKE SURE THE GAS SUPPLY IS TURNED OFF AT THE SOURCE. FAILURE TO FOLLOW DANGERS, WARNINGS AND CAUTIONS CONTAINED IN THIS INSTRUCTION SHEET MAY CAUSE A FIRE OR AN EXPLOSION RESULTING IN SERIOUS PERSONAL INJURY OR DEATH AS WELL AS DAMAGE TO PROPERTY.



**MAIN
IGNITER MODULE
REPLACEMENT**



**IGNITER
ELECTRODE
REPLACEMENT**

⚠ CAUTION: MAKE SURE GRILL IS OFF AND COOL BEFORE BEGINNING.

1

IGNITER MODULE REMOVAL

TOOLS NEEDED:



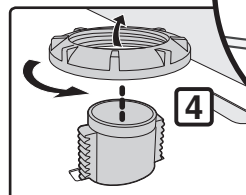
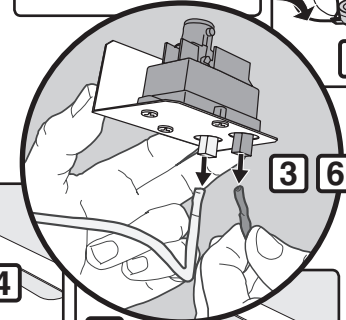
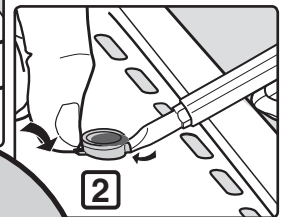
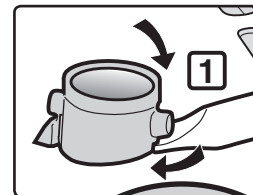
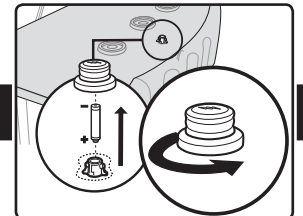
- A) Remove igniter button by turning counterclockwise and pulling up.
- B) Remove battery from igniter module assembly.

Igniter Module Type 1:

- C) Using a flathead screwdriver, press in right clip of igniter module (1), until it releases from control panel assembly.
- D) Using your thumb, press in left clip of igniter module (2), until it releases from control panel assembly.
- E) Remove igniter module from underside of control panel assembly.
- F) Disconnect igniter wires from igniter module (3).

Igniter Module Type 2:

- G) Remove igniter module retention nut from top of control panel (4). Remove with fingers or an adjustable wrench.
- H) Remove igniter module from underside of control panel assembly (5).
- I) Disconnect igniter wires from igniter module (6).



⚠ IMPORTANT NOTE: Take care not to scratch stainless steel on control panel while releasing igniter module.

NOTE: Grills illustrated may have slight differences than model purchased.

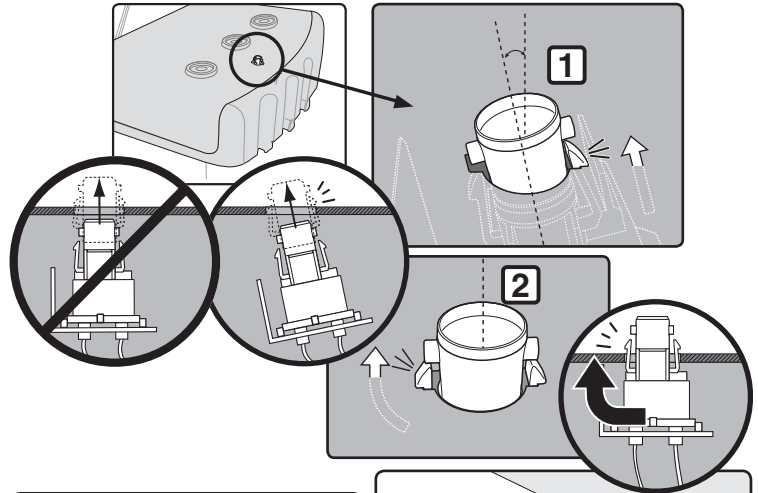
2

IGNITER MODULE INSTALLATION

⚠ **IMPORTANT NOTE:** Heat shield on igniter module must face cookbox when installed into control panel.

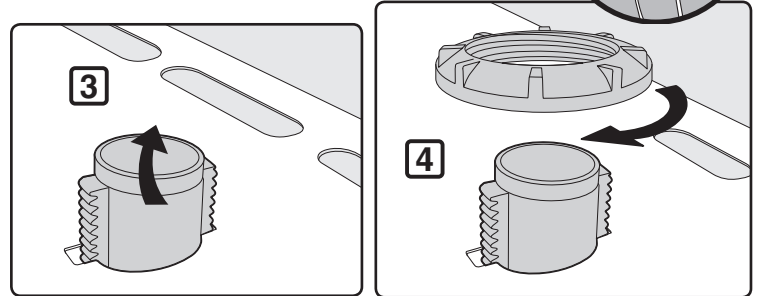
Igniter Module Type 1:

- A) Push igniter module up through control panel opening. Keep igniter module at a slight angle towards cookbox until you see and hear right side clip snap into place (1).
- B) Pivot igniter module upwards, until left side clip snaps into place (2).



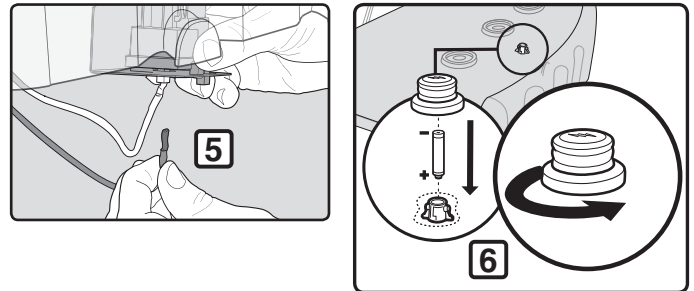
Igniter Module Type 2:

- C) Push igniter module up through control panel opening (3).
- D) Install igniter module retention nut on top of control panel (4). Retention nut should only be finger tight. Install with fingers or an adjustable wrench.



Both Types – Igniter Module:

- E) Reconnect igniter wires to igniter module (5).
- F) Install battery into igniter module assembly (6).
- G) Install igniter module button by pushing down while turning clockwise.



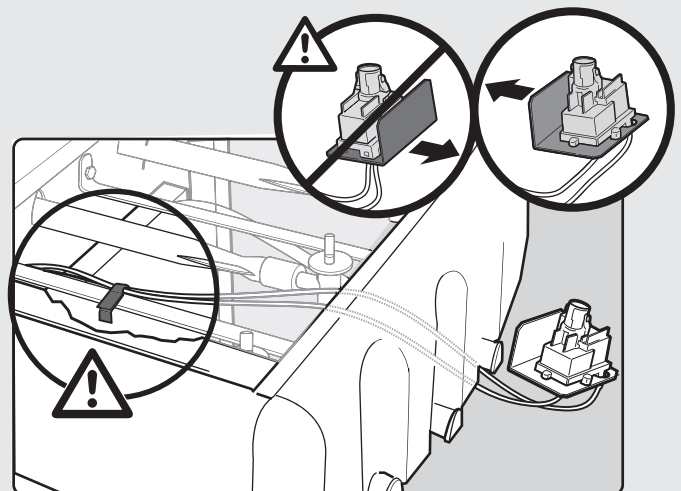
⚠ **IMPORTANT NOTE:** If it has been a year since battery was changed, this would be a good time to replace it.

IGNITER MODULE SAFETY CHECKS

Important Checks After Installing Igniter Module:

- ⚠ **IMPORTANT NOTE:** Heat shield on igniter module must face cookbox when installed into control panel.
- ⚠ **IMPORTANT NOTE:** Make sure wires are attached to manifold bracket.

REASSEMBLY NOTE: After completely installing igniter module, check for igniter spark. Push down on igniter button, listen for a clicking sound and check for a spark at ceramic igniter. If you hear clicking and see spark, igniter module is working.

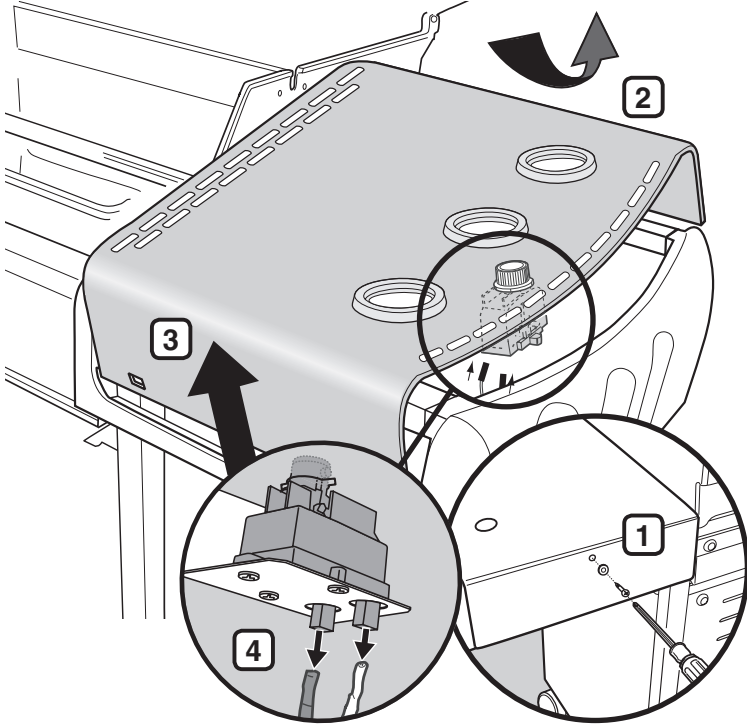


IGNITER ELECTRODE REPLACEMENT

3 CONTROL PANEL REMOVAL

TOOLS NEEDED:  - PHILLIPS

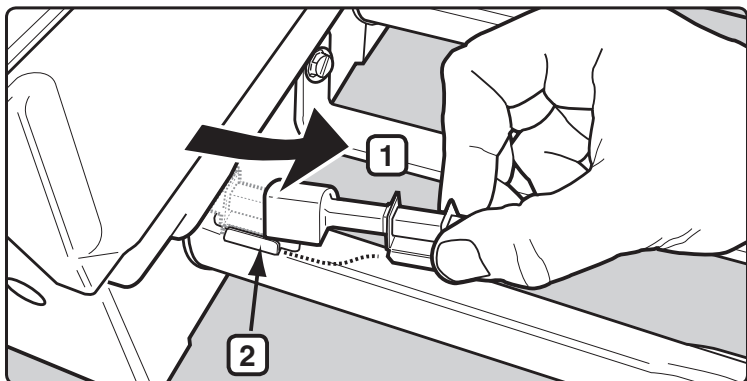
- A) Remove all control knobs (not pictured).
- B) Remove screw and washer (1) from back of control panel with a Phillips head screwdriver.
- C) Tilt back edge of control panel up (2). Carefully lift control panel up and away from frame assembly (3).
- D) Disconnect igniter wires from ignition module (4).
- E) Remove control panel from frame assembly.



4 IGNITER ELECTRODE REMOVAL

- A) Remove igniter electrode assembly (1) from the mounting bracket (2) located on burner tube.
- B) Grip igniter electrode and metal igniter bracket, pull back on igniter electrode assembly and remove it from mounting bracket on burner tube.

REMOVAL NOTE: If igniter electrode assembly does not easily slide out from mounting bracket, use a small pair of pliers or channel locks to grasp metal igniter bracket of igniter electrode assembly.

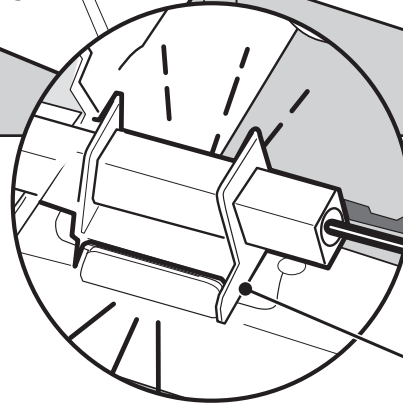
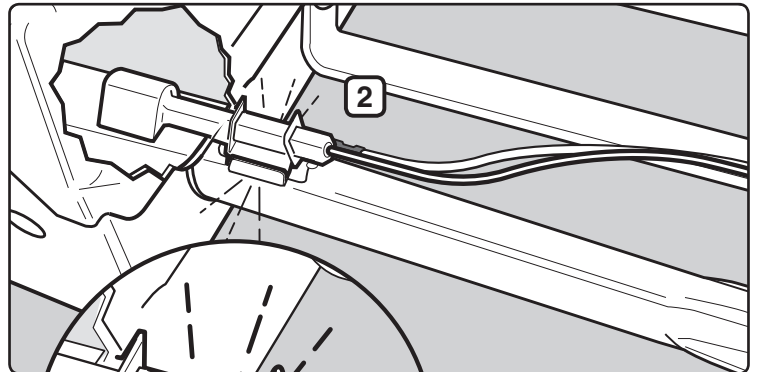
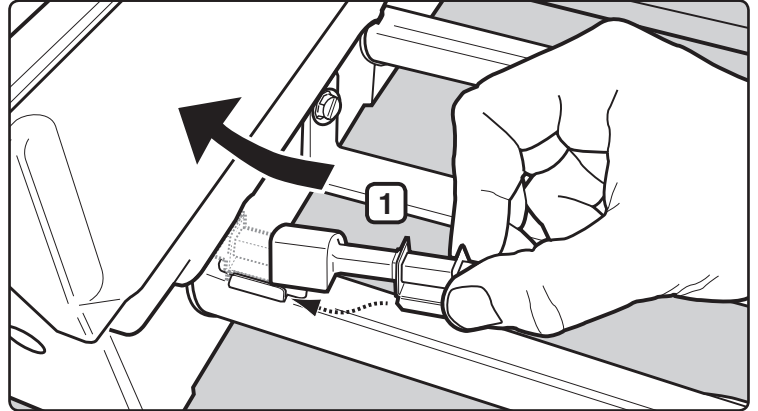


• REPLACEMENT PART INSTALLATION

5 IGNITER ELECTRODE INSTALLATION

- A) Slide igniter electrode (1) into the burner tube mounting bracket (2).

REASSEMBLY NOTE: DO NOT USE ANY TOOLS TO INSTALL IGNITER ELECTRODE — JUST YOUR FINGERS. INSTALL IGNITER ELECTRODE INTO MOUNTING BRACKET LOCATED ON EACH BURNER TUBE. PUSH IGNITER ELECTRODE IN UNTIL YOU HEAR A SNAP OR FEEL IT LOCK INTO PLACE.



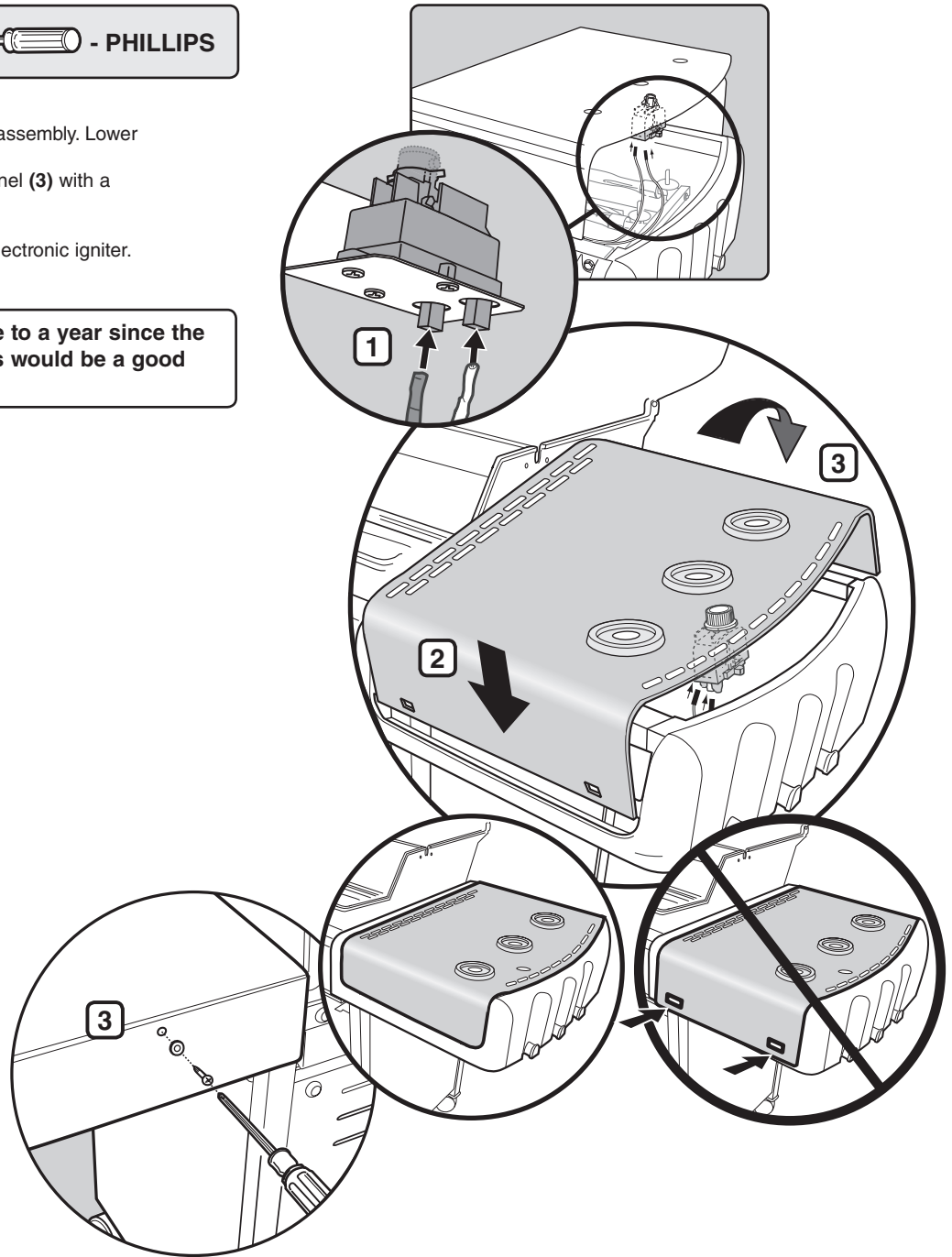
VISUAL INSPECTION CAN BE DONE BY CHECKING TO SEE IF IGNITER BRACKET STOP ON LEFT BACK SIDE OF IGNITER ELECTRODE IS EVEN WITH BURNER TUBE MOUNTING BRACKET.

TOOLS NEEDED:

 - PHILLIPS

- A) Reconnect igniter wires to ignition module (1).
- B) Carefully slide front of control panel over frame assembly. Lower back edge of control panel down onto frame (2).
- C) Install screw and washer into back of control panel (3) with a Phillips head screwdriver.
- E) Install control knobs. (not pictured)
- E) Re-install the battery and igniter button for the electronic igniter. (not pictured)

⚠ IMPORTANT NOTE: If it has been close to a year since the battery was changed in the igniter, this would be a good time to replace it.



⚠ WARNING: Make sure all parts are assembled and hardware is fully tightened before operating the grill. Your actions, if you fail to follow this product warning, may cause a fire, an explosion, or structural failure resulting in serious personal injury or death as well as damage to property.

⚠ WARNING: All repairs to gas carrying, gas burning, igniter or structural components must be performed by an authorized Weber-Stephen Products LLC service technician.

These parts may be gas carrying, gas burning, igniter or structural components. Please contact Weber-Stephen Products LLC, Customer Service Department for Genuine Weber-Stephen Products LLC replacement part(s) information.

⚠ WARNING: Do not attempt to make any repair to gas carrying, gas burning, igniter or structural components without contacting Weber-Stephen Products LLC, Customer Service Department. Your actions, if you fail to follow this Product Warning, may cause a fire, an explosion, or structural failure resulting in serious personal injury or death as well as damage to property.



WEBER-STEPHEN PRODUCTS LLC
Customer Service Center
1890 Roselle Road, Suite 308
Schaumburg, IL 60195

1-800-446-1071 (USA ONLY)
www.weber.com®