



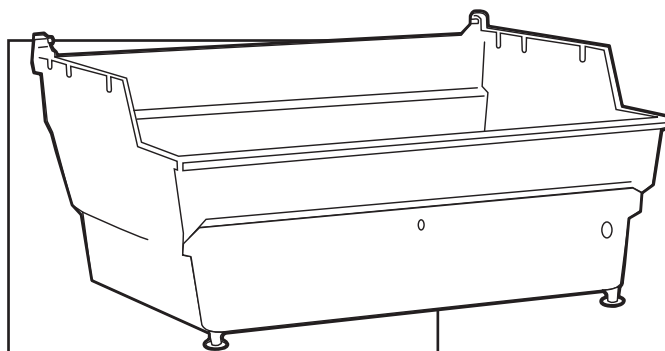
GENESIS®

COOKBOX REPLACEMENT INSTRUCTIONS

**THIS PROCEDURE SHOULD ONLY BE PERFORMED BY AN AUTHORIZED
WEBER-STEPHEN PRODUCTS CO. SERVICE TECHNICIAN**

⚠ WARNING: GENUINE WEBER-STEPHEN REPLACEMENT PARTS MUST BE USED FOR ANY REPAIR OR REPLACEMENT. YOUR ACTIONS, IF YOU FAIL TO FOLLOW THIS PRODUCT WARNING, MAY CAUSE A FIRE, AN EXPLOSION, OR STRUCTURAL FAILURE RESULTING IN SERIOUS PERSONAL INJURY OR DEATH AS WELL AS DAMAGE TO PROPERTY. (WILL VOID ALL WARRANTY PROTECTION.)

⚠ DANGER: BEFORE PERFORMING ANY WORK MAKE SURE THE GAS SUPPLY IS TURNED OFF AT THE SOURCE. FAILURE TO FOLLOW DANGERS, WARNINGS AND CAUTIONS CONTAINED IN THIS INSTRUCTION SHEET MAY CAUSE A FIRE OR AN EXPLOSION RESULTING IN SERIOUS PERSONAL INJURY OR DEATH AS WELL AS DAMAGE TO PROPERTY.



**SEE STEP #10:
COOKBOX ASSEMBLY
REPLACEMENT**

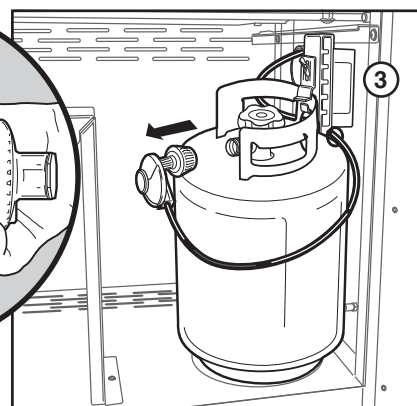
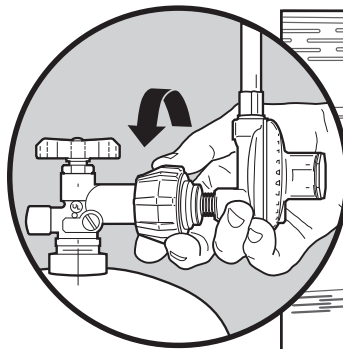
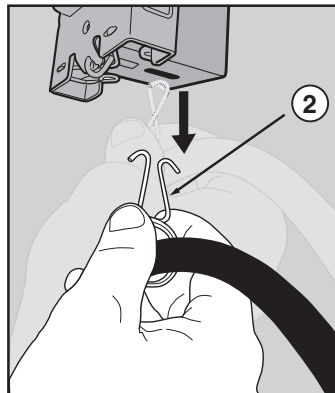
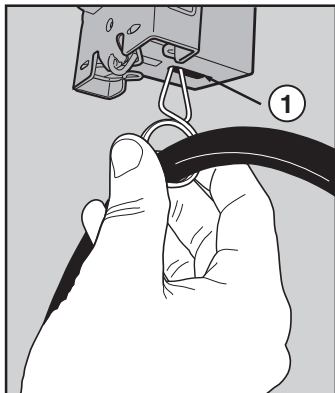
⚠ BEFORE STARTING: Make sure the casters are locked to prevent the grill from moving while removing the cookbox assembly.

1 DISCONNECT HOSE FROM GAS SOURCE

Gas Source Removal:

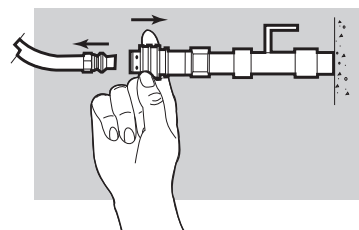
FOR LP UNITS:

- A) Remove the hose retention clip (1) on the regulator hose. Remove the hose retention clip from the slot (2) on the underside of the tank scale.
- B) Unscrew the regulator coupling from the tank valve, turn counter-clockwise, or to the left.
- C) Loosen the wing-nut on the tank scale (3), lift up the locking clip. Remove the propane cylinder from the cabinet of the grill.



FOR NG UNITS:

Slide back the collar of the quick-disconnect.



⚠ WARNING: Do not use a wrench to loosen the connection. Using a wrench could damage the regulator coupling and could cause a leak.

NOTE: The grills illustrated may have slight differences than the model purchased.

2

SHROUD REMOVAL

Shroud Assembly Removal:

- Lift the shroud to the open position, remove the cotter pins out of the clevis pins (1). Close the shroud, remove the clevis pins.
- Lift and remove the shroud.



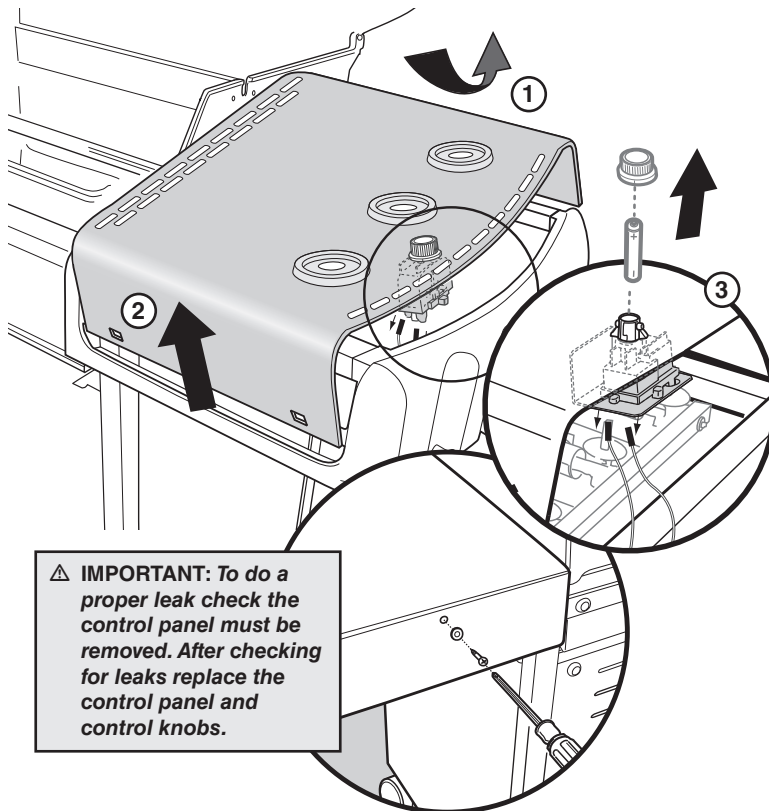
3

CONTROL PANEL REMOVAL

TOOLS NEEDED:  - PHILLIPS

Right Side Control Panel Removal:

- Remove ALL of the control knobs.
- Remove the screw and washer from the back of the control panel with a Phillips head screwdriver.
- Lift the back of the control panel up (1) to unlock the front tabs of the control panel from the trim assembly.
- Lift and remove the control panel (2).
- Disconnect the igniter wires from the ignition module (3).



⚠ WARNING: Make sure that all control knobs are turned to the OFF position before reconnecting the gas supply and operating the grill.

4

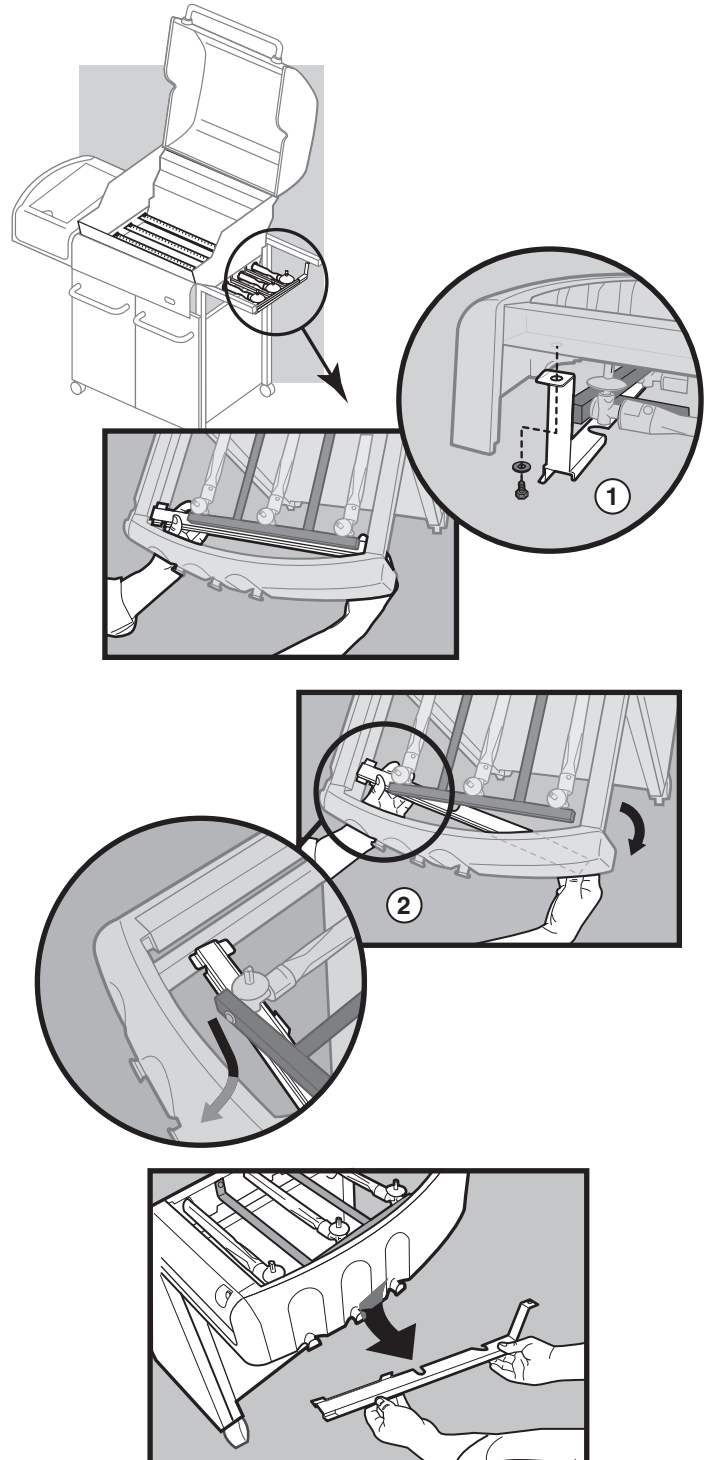
MANIFOLD BRACKET REMOVAL

TOOLS NEEDED:  - 7/16"

⚠ DEPENDING ON YOUR GRILL MODEL, THIS STEP MAY OR MAY NOT REQUIRE THE REMOVAL OF A MANIFOLD BRACKET.

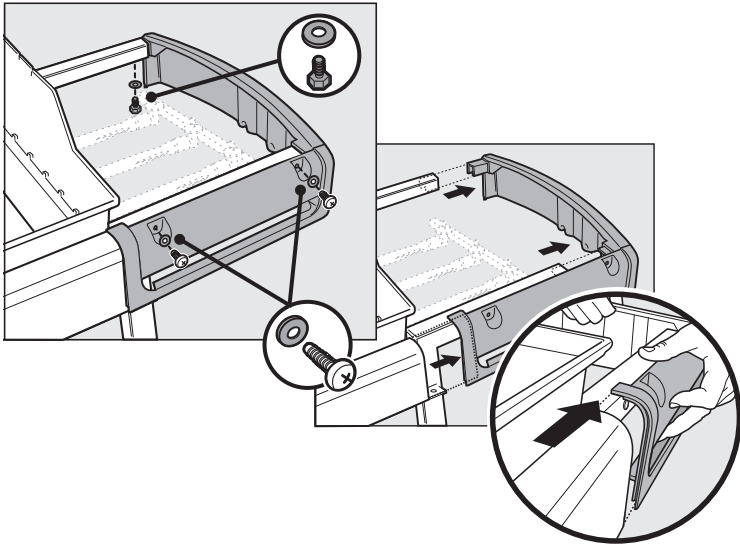
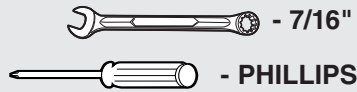
Manifold Bracket Removal:

- Remove washer and bolt (1) that holds the manifold bracket to the grill.
- Rotate the right end of manifold bracket out from under manifold. Allow the left side of manifold bracket to come off bottom ledge of trim assembly (2).



5 RIGHT SIDE TRIM REMOVAL

TOOLS NEEDED:



6 LEFT PANEL REMOVAL

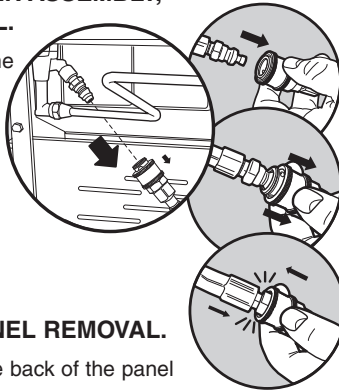
TOOLS NEEDED:



Left Side Burner Disconnect:

IF YOUR GRILL HAS A SIDE BURNER ASSEMBLY, FOLLOW THIS STEP FOR REMOVAL.

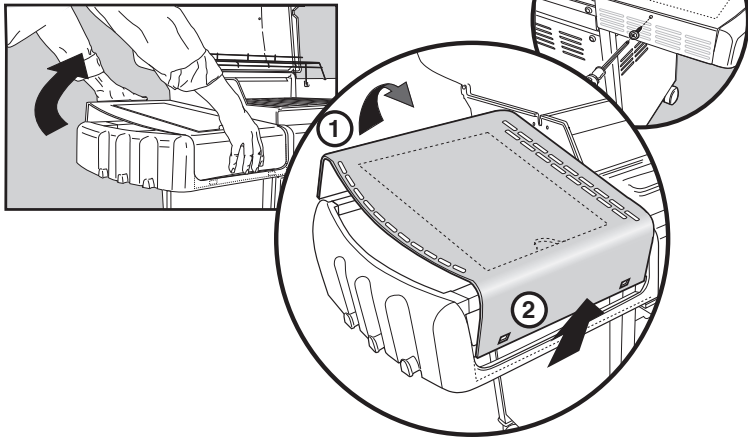
- Disconnect the quick-disconnect gas line from the side burner assembly on the underside of the side burner left panel.
- Lift the side burner lid and remove ALL of the components. (not pictured)



Left Side Panel Removal:

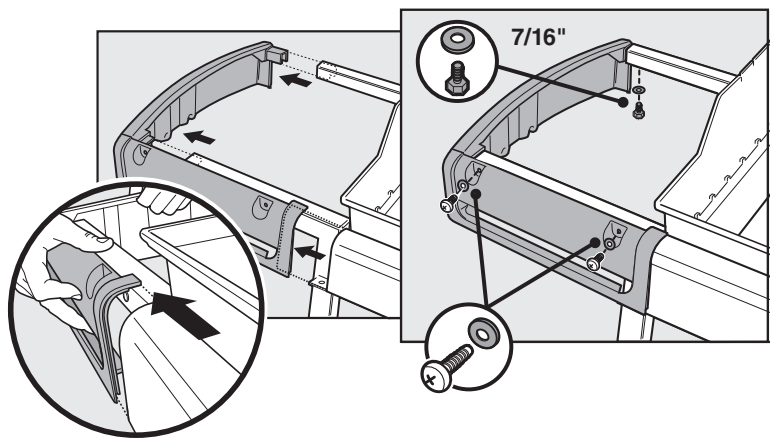
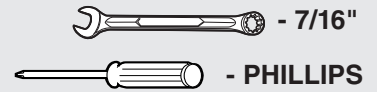
FOLLOW THIS STEP FOR LEFT PANEL REMOVAL.

- Remove the screw and washer from the back of the panel with a Phillips head screwdriver.
- Tilt the back edge of the panel up (1). Push in on the front edge (2) to release locking tabs.
- Carefully pull panel assembly away from frame.



7 LEFT TRIM ASSEMBLY REMOVAL

TOOLS NEEDED:



8 FRONT PANEL REMOVAL

TOOLS NEEDED:

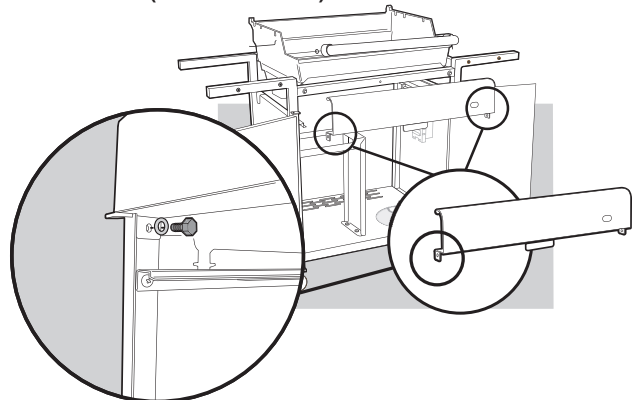


△ DEPENDING ON YOUR GRILL MODEL, THIS STEP MAY OR MAY NOT REQUIRE THE REMOVAL OF TWO BOLTS & WASHERS.

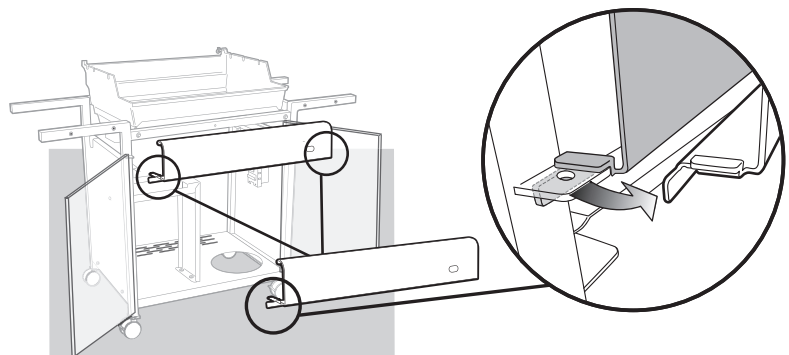
Front Panel Removal:

- Remove the bolts and washers that secure the front panel (using a 7/16" wrench or nutdriver) **IF NECESSARY**.
- Slide the top of the front panel out and lower the front panel down and away from the grill assembly.

MODEL STYLE 1 — (REMOVE BOLTS)

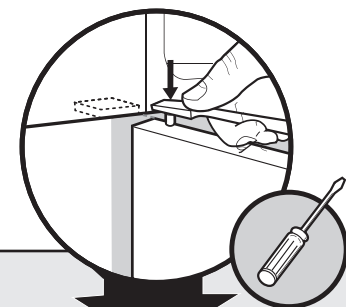
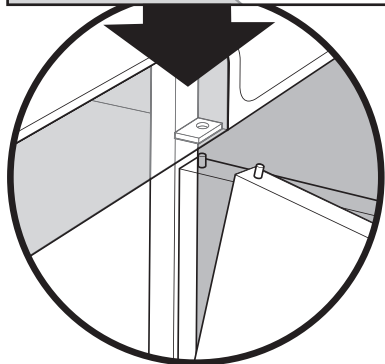
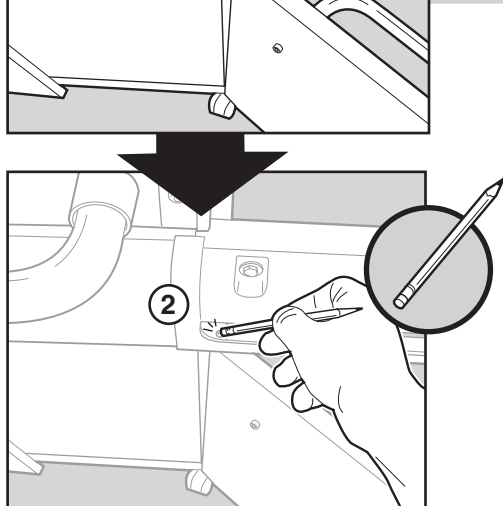
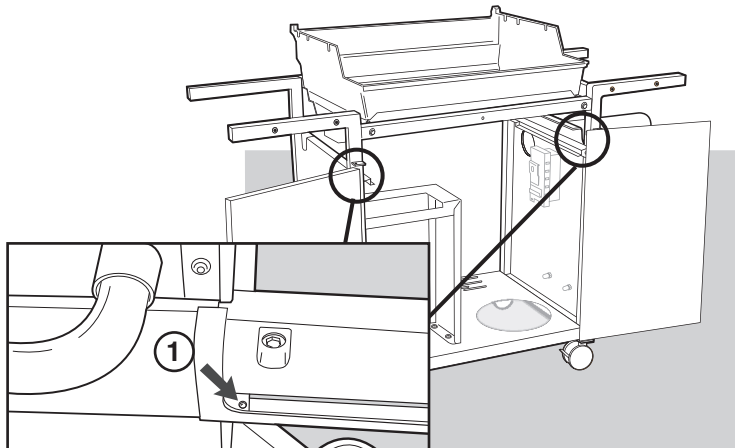


MODEL STYLE 2 — (NO BOLT REMOVAL REQUIRED)

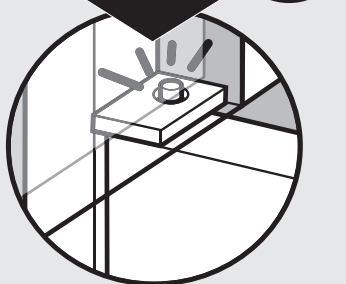


9**LEFT/RIGHT DOOR REMOVAL****TOOLS NEEDED:**  - PENCIL**Door Removal:**

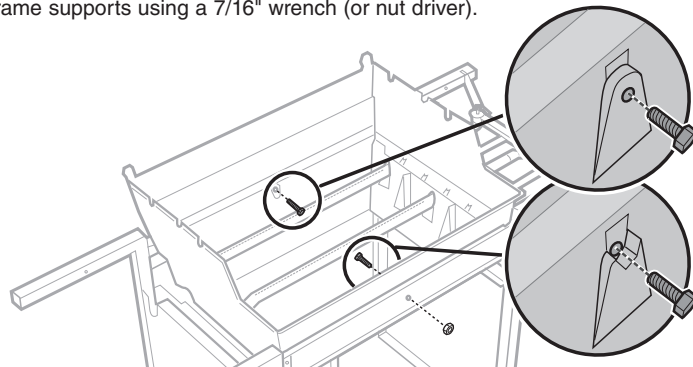
- A) Locate the door pins in the side trim assemblies (1).
- B) Using the eraser end of a pencil, push down on the door pin (2) until the door releases from the frame of the grill.



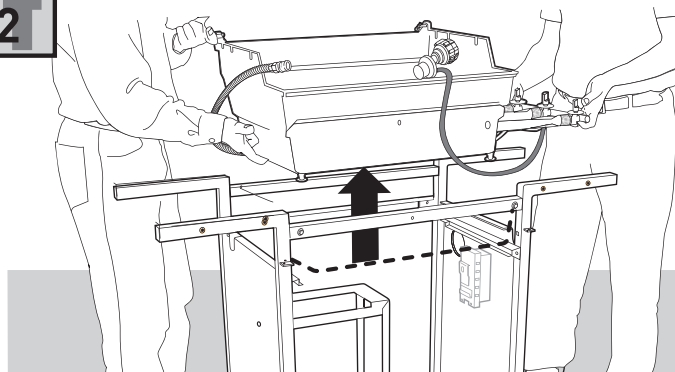
⚠ RE-ASSEMBLY NOTE:
USE A FLATHEAD
SCREWDRIVER TO
RE-INSTALL THE
DOORS INTO THE
FRAME ASSEMBLY.

**10****COOKBOX REMOVAL****TOOLS NEEDED:**  - 7/16"**Cookbox Assembly Removal:**

- A) Remove grates and flavorizer bars (not pictured) from inside of cookbox.
- B) Remove cookbox bolts, nuts and washers from the front and back of the frame supports using a 7/16" wrench (or nut driver).



- C) Lift out the whole cookbox assembly from the frame.
Make sure the manifold or side burner gas line do not catch on the frame when removing the cookbox assembly.



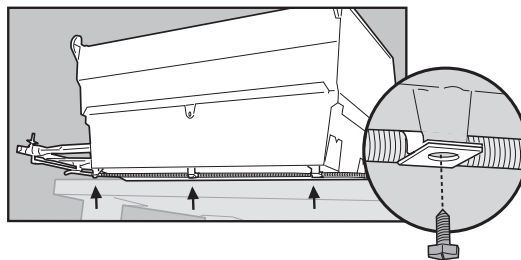
• PLACE THE ENTIRE COOKBOX ASSEMBLY
ON A SURFACE WHERE YOU CAN ACCESS ALL
OF THE COMPONENTS EASILY.

FOLLOWING STEPS ARE FOR REMOVING THE
REST OF THE COOKBOX COMPONENTS

11**SIDE BURNER GAS LINE REMOVAL****TOOLS NEEDED:**  - FLATHEAD**Side Burner Gas Line Removal:**

- A) Disconnect the side burner gas line from the cookbox assembly by removing three (3) screws that secure the side burner gas line to the cookbox. This will require a flathead screwdriver.

- ⚠ SKIP THIS STEP
IF YOUR GRILL
DOES NOT HAVE
A SIDE BURNER.



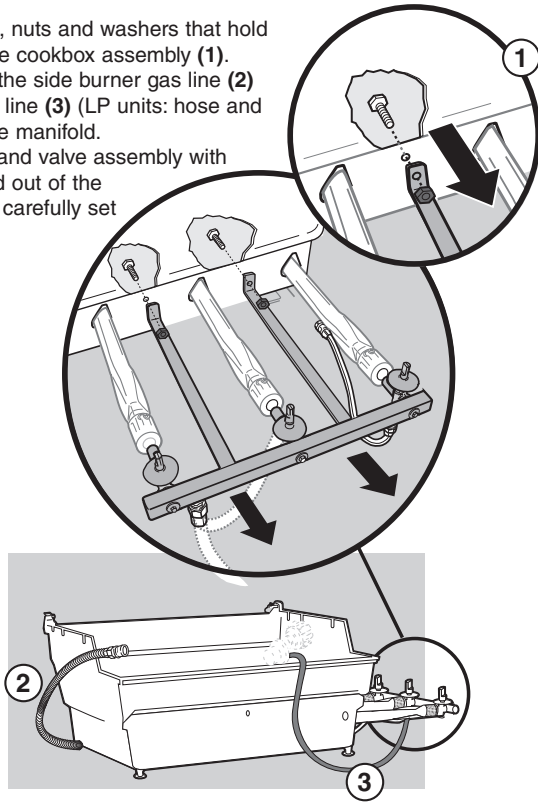
12

MANIFOLD REMOVAL

TOOLS NEEDED:  - 7/16", 9/16"

Manifold Assembly Removal:

- A) Remove the bolts, nuts and washers that hold the manifold to the cookbox assembly (1).
- B) **DO NOT** remove the side burner gas line (2) and the main gas line (3) (LP units: hose and regulator) from the manifold.
- C) Pull the manifold and valve assembly with gas lines attached out of the burner tubes and carefully set it down.

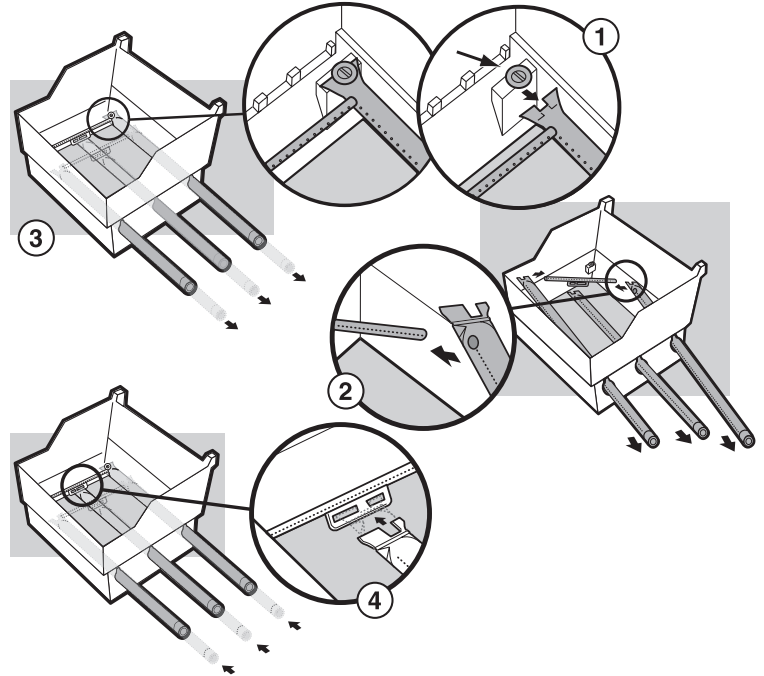


13

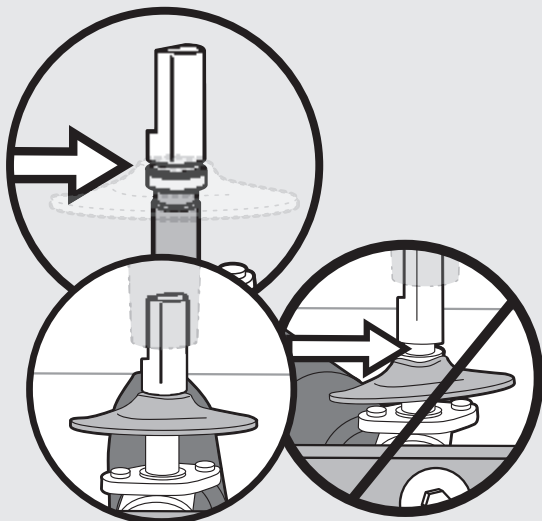
BURNER TUBE REMOVAL

Burner Tube Assembly Removal:

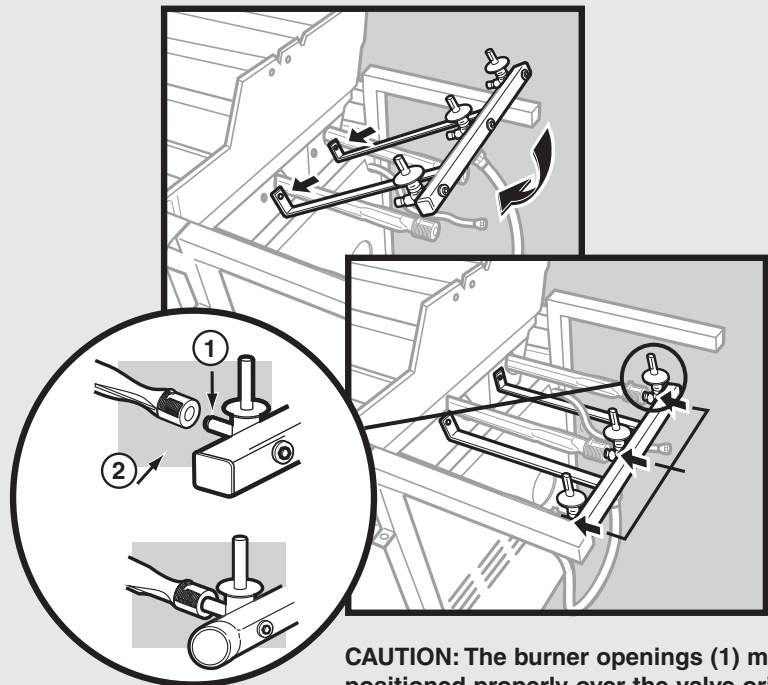
- A) Slide the burner assembly out from under the guide screw and washer (1) in the corners of the cookbox.
- B) Lift and twist the burner assembly slightly, to separate the Crossover® tube (2) from the burners. Remove the burner tubes from the cookbox (3).
- C) Slide the notched end out of the bracket on the Crossover® tube to remove the middle burner tube (4).



⚠ IMPORTANT: Knob bezels must be checked for alignment after reinstalling the control panel. See Alignment Step #16 for bezel adjustment instructions.



⚠ RE-ASSEMBLY NOTE: MAKE SURE THAT THE VALVE GASKETS ARE POSITIONED CORRECTLY INTO THE CHANNEL ON EACH VALVE STEM. THIS WILL ALLOW THE VALVES TO FREELY MOVE UP AND DOWN WHEN IN USE.



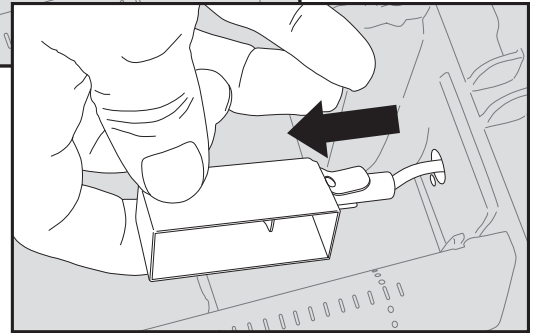
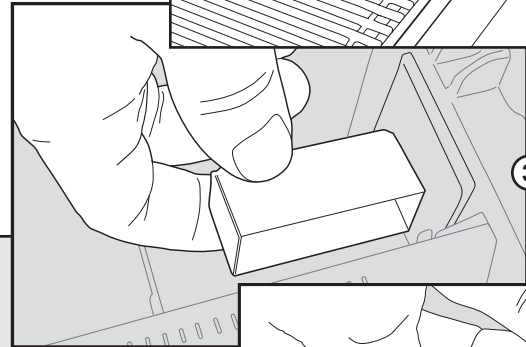
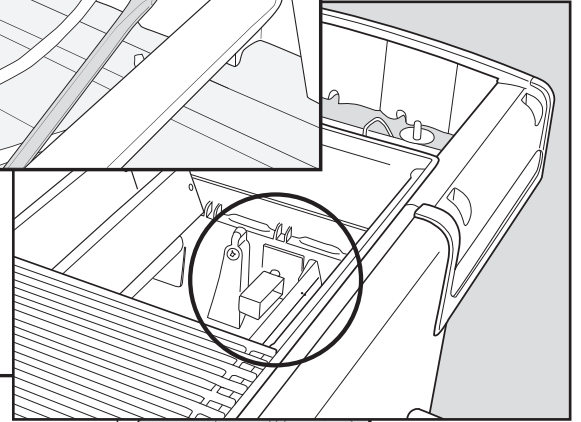
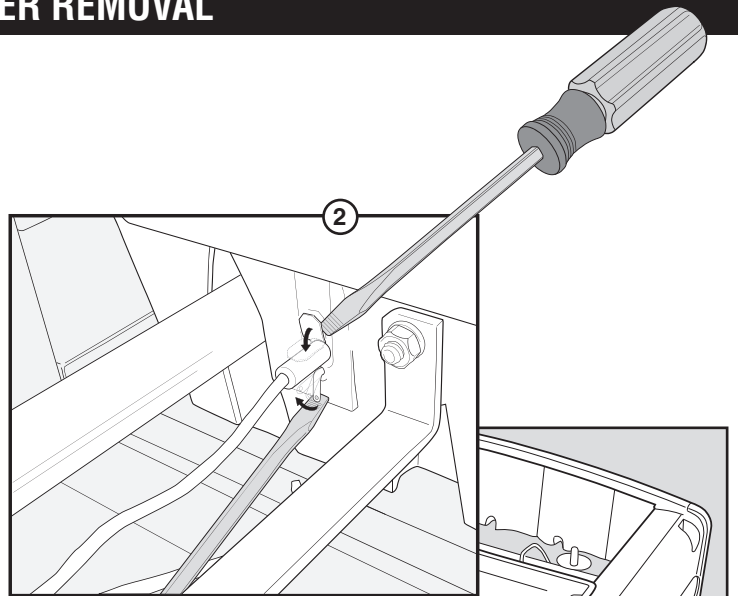
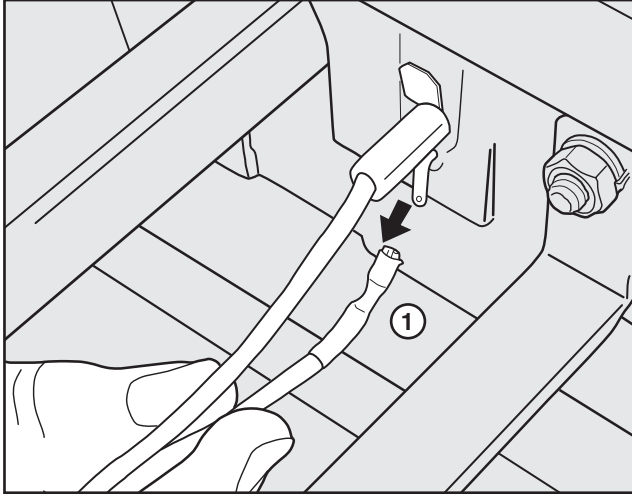
CAUTION: The burner openings (1) must be positioned properly over the valve orifices (2).

IMPORTANT: The single row of gas portholes should be facing up.

TOOLS NEEDED:

**Gas Chamber Components Removal:**

- A) Remove the white wire (1) from the gas chamber assembly on the outside of the cookbox.
- B) Bend both of the clips away from the cookbox with a flathead screwdriver (2). This allows the gas chamber to be removed from inside of the cookbox.
- C) Inside the cookbox, grab the gas chamber assembly and pull it away from the side of the cookbox.
- D) Slide the gas chamber assemblies (3) through the holes in the cookbox assembly.



GAS CHAMBER INSTALLATION

REASSEMBLY NOTE: Before sliding the gas chamber into the cookbox assembly remove the white wire from the igniter electrode. Make sure that the gas chamber opening is facing the burner tube for proper ignition spark.

COOKBOX INSTALLATION

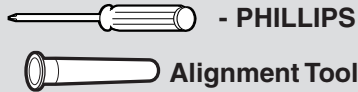
INSTALL THE NEW COOKBOX, AND REINSTALL ALL OF THE COOKBOX COMPONENTS FOLLOWING THIS REPLACEMENT SHEET IN REVERSE ORDER.

**BEFORE RE-INSTALLING THE CONTROL PANEL,
SEE STEP #17: CHECK FOR GAS LEAKS.**

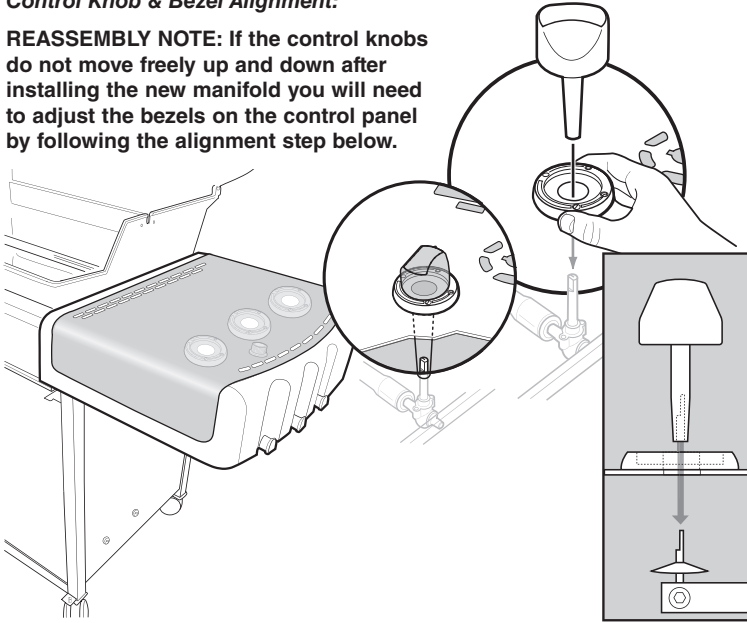
**THEN FOLLOW STEP #16: CONTROL KNOB AND BEZEL ALIGNMENT
TO COMPLETE THE GRILL RE-ASSEMBLY.**

⚠ WARNING: Make sure that all parts are assembled and hardware is fully tightened before operating the grill. Your actions, if you fail to follow this Product Warning, may cause a fire, an explosion, or structural failure resulting in serious personal injury or death as well as damage to property.

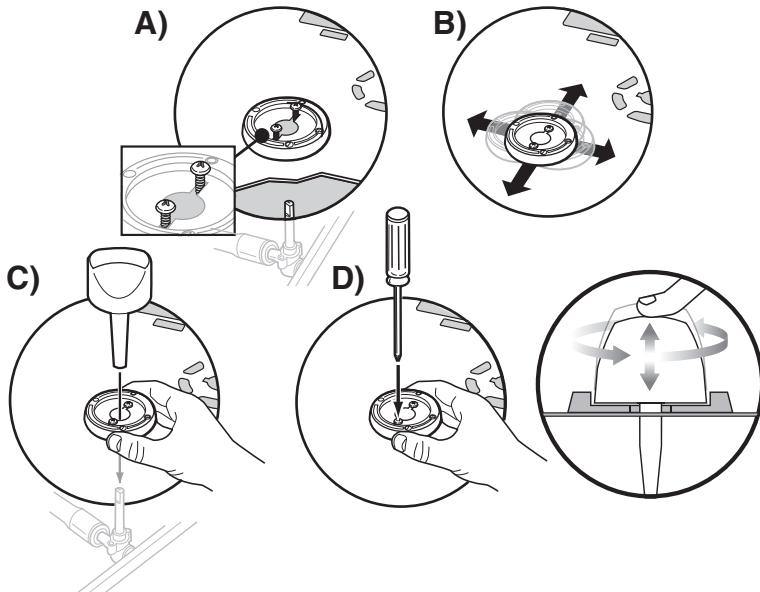
TOOLS NEEDED:

**Control Knob & Bezel Alignment:**

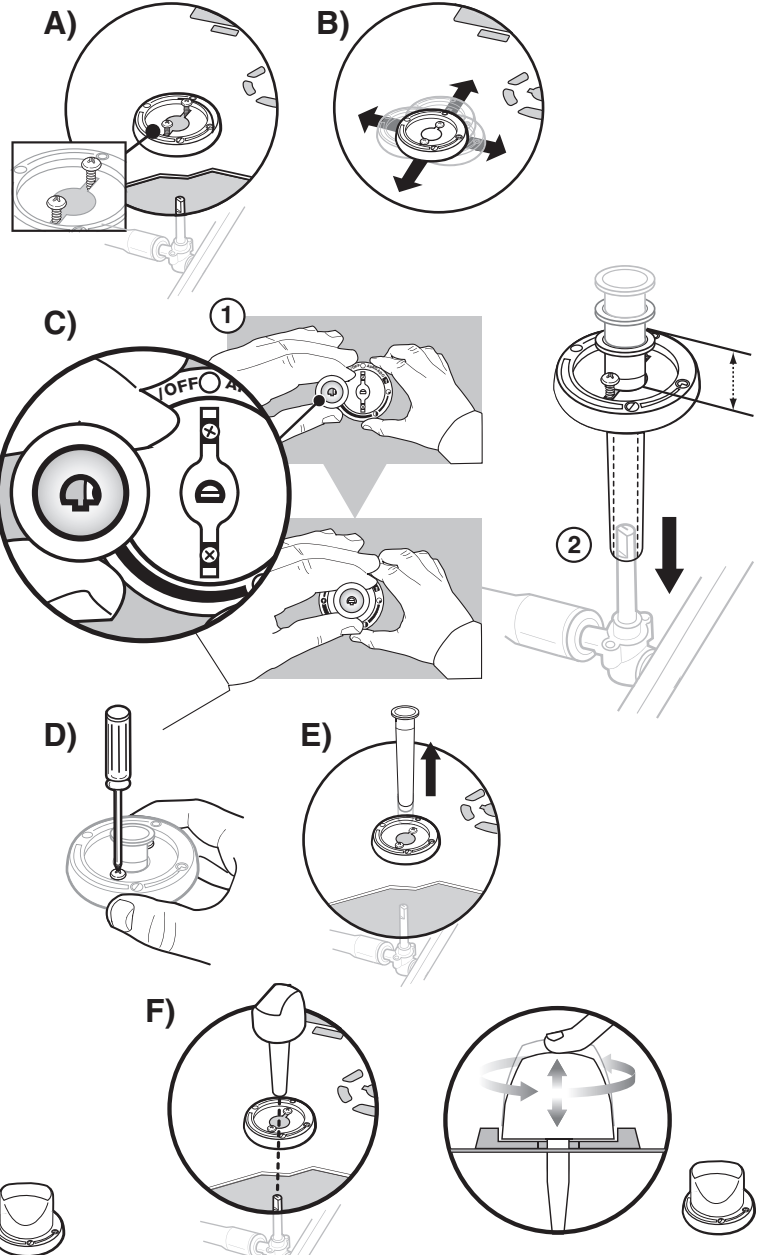
REASSEMBLY NOTE: If the control knobs do not move freely up and down after installing the new manifold you will need to adjust the bezels on the control panel by following the alignment step below.

**WITHOUT ALIGNMENT TOOL****Control Knob & Bezel Alignment:**

- Loosen screws on each bezel.
- Make sure bezel moves freely in all directions.
- Align the control knob with the valve stem on the manifold. Push the control knob onto valve stem. While holding control knob bezel, gently push the control knob down. The control knob must freely return to the up position.
- Once aligned, continue to hold the control knob bezel, remove the control knob and tighten screws. Push the control knob down again to check for free movement.
- Readjust if necessary.

**WITH ALIGNMENT TOOL****Control Knob & Bezel Alignment:**

- Loosen screws on each bezel.
- Make sure bezel moves freely in all directions.
- Position the alignment tool with valve stem (1). Push alignment tool onto valve stem (2). While holding control knob bezel, gently push alignment tool down. Tool must freely return to up position.
- Once aligned, continue to hold control knob bezel and tighten screws. Push tool again to check for free movement.
- Remove alignment tool.
- Install knob onto valve stem and test for free movement. Readjust if necessary.



⚠ WARNING: Make sure that all control knobs are turned to the OFF position before reconnecting the gas supply and operating the grill. Your actions, if you fail to follow this Product Warning, may cause a fire, an explosion, or structural failure resulting in serious personal injury or death as well as damage to property.

⚠ DANGER

Do not use an open flame to check for gas leaks. Be sure there are no sparks or open flames in the area while you check for leaks. Sparks or open flames will result in a fire or explosion, which can cause serious bodily injury or death and damage to property.

You will need: a soap and water solution and a rag or brush to apply it.

- A) Mix soap and water.
- B) Turn on the gas supply at the source.
- C) Check for leaks by wetting the fitting with the soap and water solution and watching for bubbles. If bubbles form, or if a bubble grows, there is a leak.
- D) When leak checking is complete, turn gas supply off at the source and rinse connections with water.

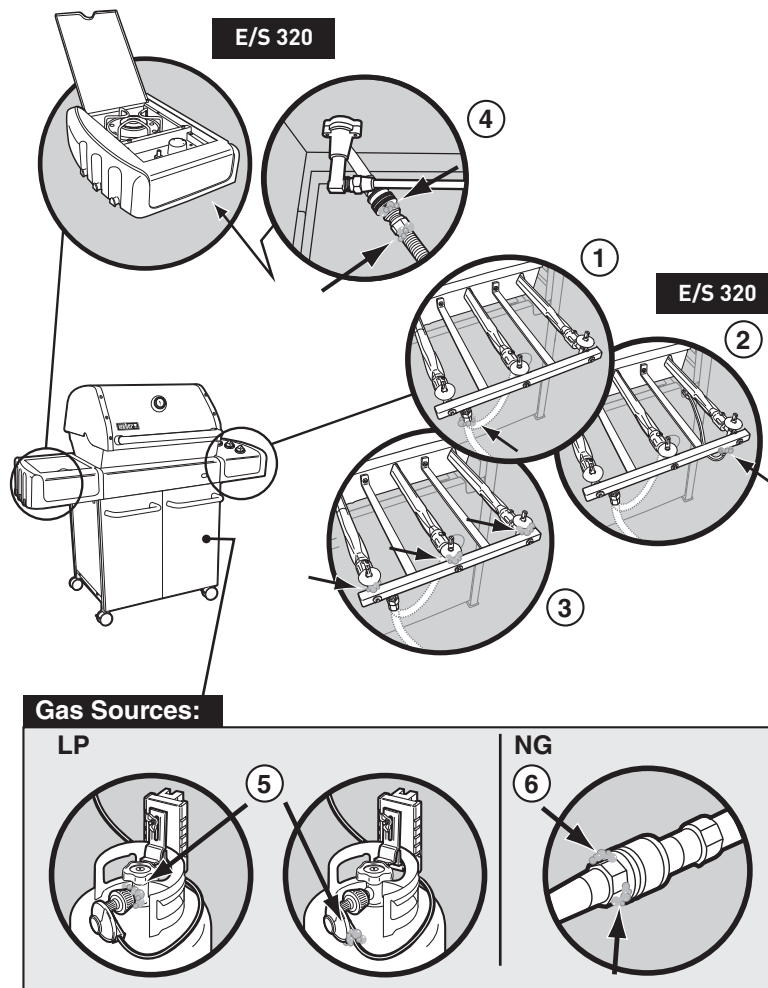
Check:

- A) Gas supply hose connection (1).
- B) Side burner gas line to manifold connection (2).
- ⚠ **DANGER: If there is a leak at connection (1 or 2), retighten the fitting with a wrench and recheck for leaks with soap and water solution. If a leak persists, turn OFF the gas. DO NOT OPERATE THE GRILL.** Failure to follow dangers, warnings and cautions contained in this Instruction sheet may cause a fire or an explosion resulting in serious personal injury or death as well as damage to property. Contact the Customer Service Representative in your area using the contact information on our web site. Log onto www.weber.com.
- C) Valve to manifold connection (3).
- D) Side burner quick-disconnect gas line connection (4).
- E) LP: Regulator connection (5).
- F) NG: Hose to quick disconnect gas line connection (6).

- ⚠ **DANGER: If there is a leak at connection (3, 4, 5 or 6), turn off the gas. DO NOT OPERATE THE GRILL.** Failure to follow dangers, warnings and cautions contained in this Instruction sheet may cause a fire or an explosion resulting in serious personal injury or death as well as damage to property. Contact the Customer Service Representative in your area using the contact information on our web site. Log onto www.weber.com.

When leak checks are complete, turn gas supply OFF at the source and rinse connections with water.

⚠ **IMPORTANT: To do a proper leak check the control panel must be removed. After checking for leaks replace the control panel and control knobs.**



⚠ **PROPOSITION 65 WARNING: HANDLING THE BRASS MATERIAL ON THIS PRODUCT EXPOSES YOU TO LEAD, A CHEMICAL KNOWN TO THE STATE OF CALIFORNIA TO CAUSE CANCER, BIRTH DEFECTS OR OTHER REPRODUCTIVE HARM.**

(WASH HANDS AFTER HANDLING THIS PRODUCT.)

- ⚠ **WARNING: All repairs to gas carrying, gas burning, igniter components or structural components should be performed by an authorized Weber-Stephen Products Co. service technician.**

These parts may be gas carrying, gas burning components, igniter components or structural components. Please contact Weber-Stephen Products Co., Customer Service Department for Genuine Weber-Stephen Products Co. replacement part(s) information.

- ⚠ **WARNING: Do not attempt to make any repair to gas carrying, gas burning, igniter components or structural components without contacting Weber-Stephen Products Co., Customer Service Department. Your actions, if you fail to follow this Product Warning, may cause a fire, an explosion, or structural failure resulting in serious personal injury or death as well as damage to property.**



WEBER-STEPHEN PRODUCTS CO.
Customer Service Center
1890 Roselle Road, Suite 308
Schaumburg, IL 60195

1-800-446-1071 (USA ONLY)
www.weber.com