

VIKING®

Five Series



Installation Guide

5-Series Panel-Ready Door Skin
For Full-Overlay Bottom-Mount Freezer
VCDBP536R | VCDBP536L

Installation of 5-Series Panel-Ready Door Skin For Full-Overlay Bottom-Mount Freezer

Installation Preparation

Installers, it is your responsibility to...

- Before beginning, please read these instructions completely and carefully.
- Use caution during assembly to minimize scratches
- Do not remove permanently affixed labels, warnings, or plates from the product. This may void warranty.
- The installer should leave instructions with the customer who should retain for local inspector's use and future reference.
- These instructions are for the bottom-mount freezer. Please confirm that you have the correct instructions for the unit before moving on.

Model Description:

The tables below show the parts that come with each service kit. Please note that the Bottom-Mount Freezer kits (VCDPB536) have an "R" or "L" in the kit number. This denotes the swing direction these kits were designed for. A service kit with an "R" is for a right-hand (right hinge) product, while a kit with an "L" is for a left-hand (left hinge) product.

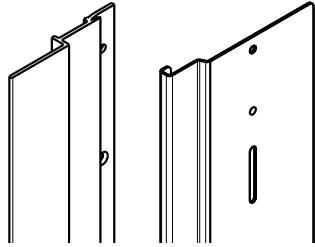
Service Kit	Part	QTY
VCDBP536R	Door Skin Assembly, 36", Right Hand, Painted	1
	Drawer Skin Assembly, Painted	1
	Door Top Spacer, Right Hand	1
	Drawer Top Spacer	1
	8-18 X 1 Torx-15 Truss Head Screws	10
	Proud Side Trim	2
	8X3/8" Phillips Head, Truss Head Screws	22
	Spacer Screws	9
	Snap Feature Screw Depth Gauge	1
	Composite Door Shims	2
	088589-000 Install Guide	1
VCDBP536L	Door Skin Assembly, 36", Left Hand, Painted	1
	Drawer Skin Assembly, Painted	1
	Door Top Spacer, Left Hand	1
	Drawer Top Spacer	1
	8-18 X 1 Torx-15 Truss Head Screws	10
	Proud Side Trim	2
	8X3/8" Phillips Head, Truss Head Screws	22
	Spacer Screws	9
	Snap Feature Screw Depth Gauge	1
	Composite Door Shims	2
	088589-000 Install Guide	1

Required Tools

- Electric Drill
- T15 Screwdriver (or bit)
- Phillips-head Screwdriver (or bit)
- Ratchet
- Stepladder or Stool
- Electrical Tape

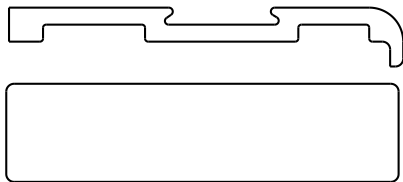
FRESH-FOOD DOOR INSTRUCTIONS

1. Remove the screws securing the flush-install trims to the sides of the unit.
2. Set aside the flush-install trims and screws in a safe location.



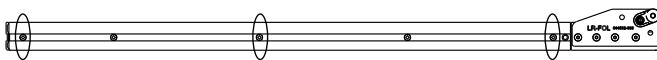
Left: Flush-mount Trim (PK290066); Right: BM Proud Trim (PK910123)

3. On the top surface of the door, remove the screws holding the extrusion in place. Set aside the old extrusion and screws for later disposal.
 - a. Also remove and set aside the small spacer plate for disposal.
4. Replace the top extrusion with the new spacer profile.
 - a. Ensure the new spacer is oriented correctly. The countersunk holes should line up with holes on the door without the spacer being out of position.
 - b. Secure the spacer by running the undercut screws (M0215321) from the service kit into the counter sunk holes.
 - c. Leave the thru-holes open. They will be used to secure the door skin later.

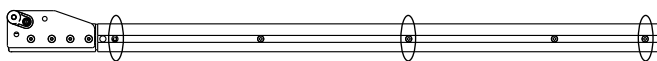


Top: Old extrusion profile; Bottom: New spacer profile

5. Remove the full-overlay z-brace sitting diagonally across the door and set aside for later disposal.
6. Remove screws from the bottom extrusion as specified below.
 - a. Remove the leftmost, rightmost, and middle screws.



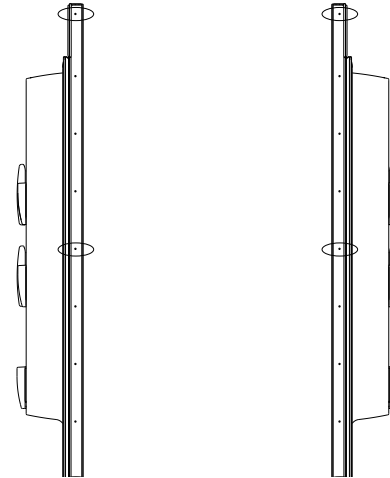
Bottom Mount Fresh Food RH



Bottom Mount Fresh Food RH

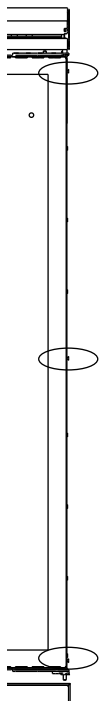
7. Remove the side door trim on the hinge side. Hold on to three of the screws and set aside the rest.

8. After removing the side door trim, run three screws back into the door on the hinge side.
 - a. The screws should be installed in the topmost, middle, and bottommost holes.



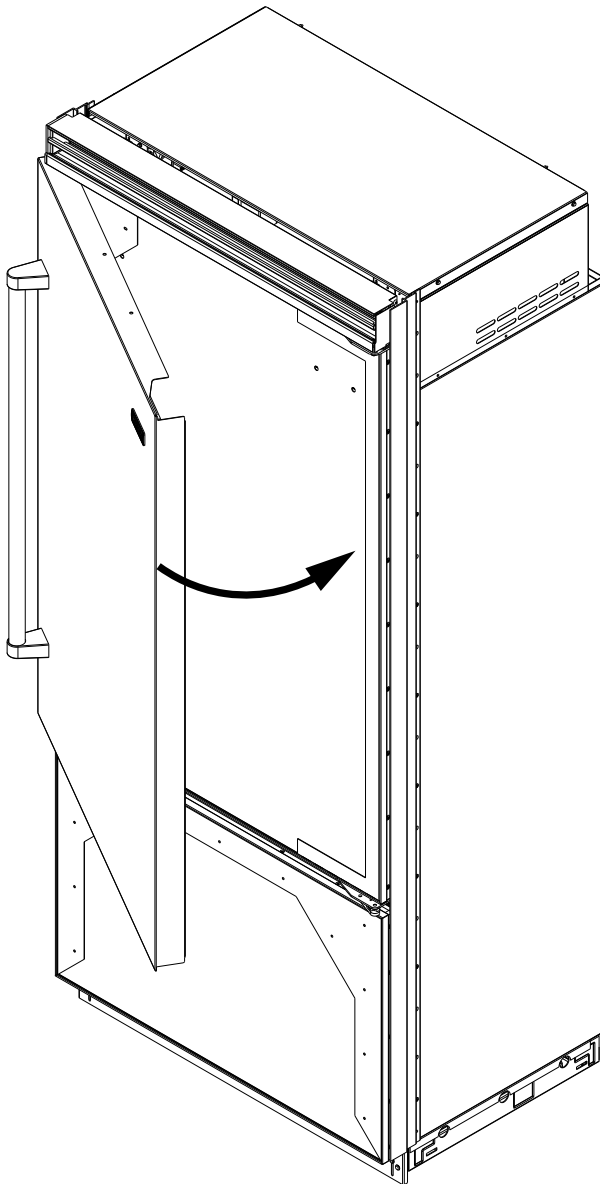
Left: LH screw locations; Right: RH screw locations

- b. Do not run the screws flush. The heads should stick up approximately 1/16" from the surface.
- c. Use the screw gauge (087639-000) to measure the depth by placing it flush with the side of the door and lining up the screw heads with the cutouts. If the screw is the correct depth, the cutout in the gauge should fit smoothly around the head with little to no play.
- d. If the gauge has play, run the screw deeper. If the gauge does not fit, pull the screw further out.
- e. Adjust each screw head until they all satisfy the gauge. Use a screwdriver for fine adjustments.
- f. These screws will form the snap / locking feature for the door panel.



Right: Image of the undercut screw heads sticking up. Left: Flat image of the 087639-000 screw gauge.

1. Using the tape, cut several strips and use them to cover the screw heads.
 - a. Run the strips across the screw heads and around the corner towards the front of the door.
 - b. **DO NOT** run the tape too close to the inner edge or corners of the door.
2. Lift the door-skin assembly (preferably with two people) and hook the handle-side flange around the remaining side trim.
 - a. Ensure there is contact between the door-skin "hook" and the trim.
3. Rotate the door skin into position; make sure that it remains "hooked" and has clearance around the top and bottom.

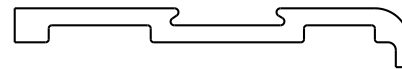


4. Insert the door shims between the panel and the door near the locations of the screw heads. This will lever the panel around the corner when you push it on.

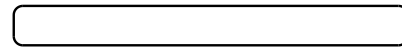
5. Push the rounded edge of the door skin over the screw-heads on the hinge side until you hear a 'snap'.
 - a. The door shims will lift the edge of the panel over the screw heads to prevent scratching.
 - b. It helps to pull on the door skin from the inside or to squeeze from both sides.
 - c. The snapping sound is the door skin locking in place around the screw-heads.
6. Install truss-head screws (P#: 010944-000) in the thru-holes on the top and bottom of the door skin to secure it.

FREEZER DRAWER INSTRUCTIONS

1. Remove top extrusion. Re-use the screws (M0215318) to install the new spacer (P#: 086428-000).

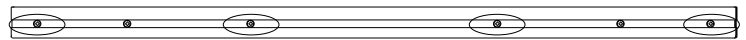


Old Extrusion Profile



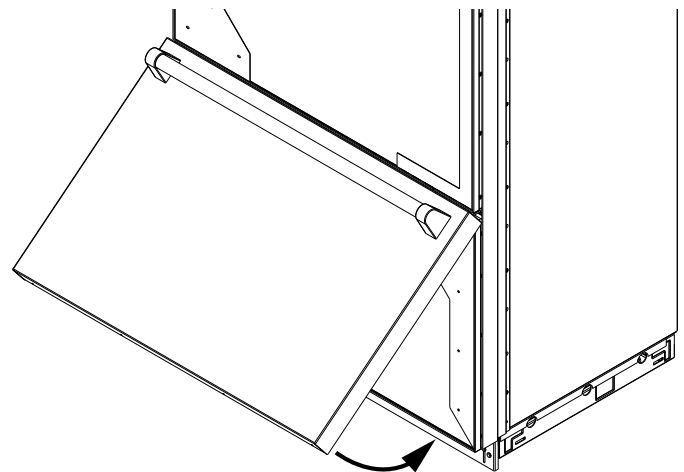
New Extrusion Profile

2. Remove four screws from the bottom extrusion: the leftmost, rightmost, and two center screws.



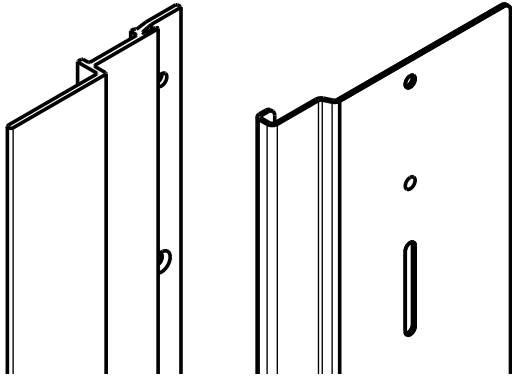
Freezer bottom extrusion

3. Hook the drawer skin assembly onto the top extrusion.
4. Rotate the door skin down into position.
 - a. Make sure it goes smoothly over the bottom edge of the door.
 - b. Use the door shims included in the service kit.
5. Install truss-head screws (P#: 010944-000) on the bottom to secure the door skin.



UNIT TRIM INSTRUCTIONS

1. Verify whether the customer requested a proud or a flush installation.
2. For a flush installation, re-install the flush trims and countersunk screws set aside in step 2.
3. For a proud installation, install the proud trims included in the service kit (053836-000 on side-by-side / PK910123 on bottom-mount).
4. Refer to unit install guide for instructions regarding the proud or flush install.



Left: Flush-mount Trim (PK290066);

Right: BM Proud Trim (PK910123)