



## Double Wall Oven with True Convection and Steam

- 9.4 cu. ft. Total Capacity (4.7 cu. ft. Upper & Lower)
- InstaView® + WideView™ Window
- Air Fry (Tray Included)
- Steam Bake and Steam Sous Vide
- EasyClean® + Self Clean
- True Convection Technology
- 4 Heavy Duty Racks
- Temperature Probe
- Backlit SmoothTouch™ Glass Controls
- LG ThinQ® Technology (Wi-Fi)
- ThinQ Care



### COLOR AVAILABILITY

WDEP9427F – PrintProof™ Stainless Steel

### CAPACITY

Oven Capacity	9.4 cu. ft. Total
Upper Oven Capacity	4.7 cu. ft.
Lower Oven Capacity	4.7 cu. ft.

### CONTROLS

Oven Control Type	Backlit SmoothTouch™ Glass
Language	English, Spanish, French
Clock	12 hr or 24 hr (option)
Kitchen Timer	Yes
Temperature Unit of Measure	°F or °C
Cooking Complete Reminder Volume	High, Low, Off

### UPPER OVEN FEATURES

EasyClean®	Yes
Self Clean	Yes
Variable Cleaning Time	Yes (3, 4, 5 hrs.)
Oven Racks	2 Heavy Duty
Number of Rack Positions	5
Temperature Probe	Yes
True Convection	Yes
Convection Conversion	Yes
Convection Element	Yes (2,000 W)
Built-in Air Fry	Yes (Air Fry Tray Included)
Variable Broil	Yes (Full, Center / High, Med, Low)
Broil Element	Inner: 2,900 W Outer: 1,500 W
Broil Element Type	8-Pass
Bake Element	2,500 W
Bake Element Type	Hidden (8-Pass)
Water Reservoir	Yes
Steam Sous Vide	Yes

Steam Bake	Yes
Proof	Yes
Oven Cooking Modes	Convection Bake / Convection Roast / Bake / Broil / Steam Bake / Steam Roast / Steam Sous-Vide / Air Fry / Frozen Meal / Warm / Proof / Favorite

Automatic Safety Shut-Off	After 12 Hours
Oven Lights	Halogen
Variable Warm	Yes (High, Med, Low)

### LOWER OVEN FEATURES

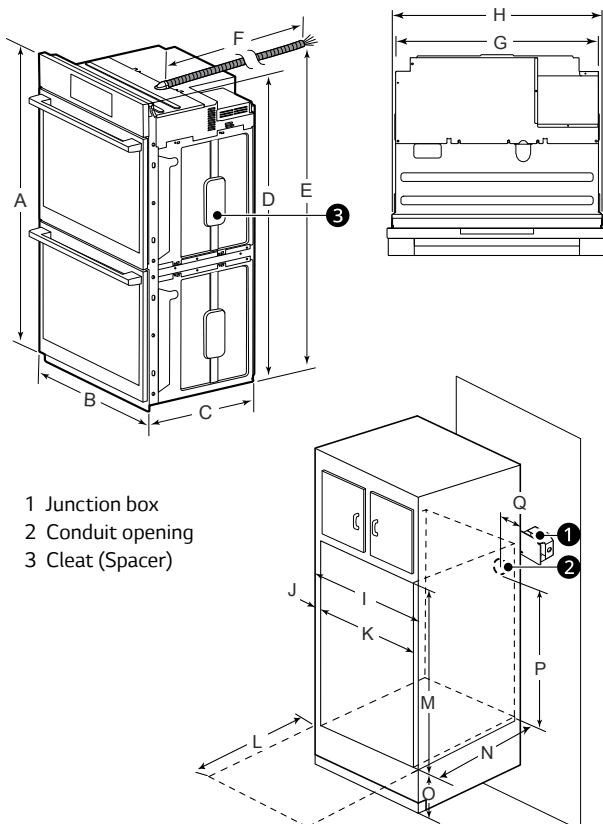
EasyClean®	Yes
Self Clean	Yes
Variable Cleaning Time	Yes (3, 4, 5 hrs)
Oven Racks	2 Heavy Duty
Number of Rack Positions	5
Temperature Probe	No
True Convection	Yes
Convection Conversion	Yes
Convection Element	Yes (2,000 Watts)
Built-in Air Fry	No
Variable Broil	Yes (Full, Center / High, Med, Low)
Broil Element	Inner: 2,900 W Outer: 1,500 W
Broil Element Type	8-Pass
Bake Element	Yes (2,500 W)
Bake Element Type	Hidden (8-Pass)
Water Reservoir	No
Proof	Yes
Oven Cooking Modes	Convection Bake / Convection Roast / Bake / Broil / Frozen Meal / Warm / Proof / Favorite / Self Clean / Easy Clean®
Automatic Safety Shut-Off	After 12 Hours

Oven Lights	Halogen
Variable Warm	Yes (High, Med, Low)
<b>CONVENIENCE</b>	
ADA Compliant	No
Sabbath Mode	Yes
<b>SMART FEATURES</b>	
Wi-Fi Enabled	Yes
ThinQ®	Yes
ThinQ Care	Yes
Voice Control	Google Assistant, Amazon Alexa
SmartDiagnosis™	Yes
Smart Recipe (3rd Party Recipe App)	Yes (Sidechef)
Scan to Cook (LG ThinQ® Technology)	Yes
<b>FINISHES AND APPEARANCE</b>	
Fingerprint & Smudge Resistant Exterior	Yes
Handle Finish	Stainless Steel Appearance
Oven Door Feature	InstaView® + WideView™ Window

<b>TECHNICAL SPECS</b>	
Required Power Supply	240/208V, 60Hz, 4-Wire
Minimum Circuit Breaker	50 Amp @ 240V, 40 Amp @ 208V
kW Rating at 240V	10.2 kW
Power Outlet Location	See Installation Diagram
<b>INCLUDED ACCESSORIES</b>	
Temperature Probe, 4 Heavy Duty Racks, Air Fry Tray	
<b>DIMENSIONS</b>	
Product Dimensions (W x H x D)	29 3/4" x 52 1/16" x 23 3/8"
Minimum Cutout Dimensions (W x H x D)	Standard: 28 1/2" x 51 13/16" x 24" Flush: 30" x 52 5/16" x 25"
Carton Dimensions (W x H x D)	34" x 57" x 30"
Approx. Weight (Product / Carton)	235 lbs. / 279 lbs.
<b>LIMITED WARRANTY</b>	
Parts and Labor	1 Year

## DIMENSIONS / CLEARANCES

Measure the current cutout dimensions and compare them to the cutout dimensions shown below. Little or no cabinet work may be necessary.



<b>DIMENSIONS / CLEARANCES</b>		
A	Height	52 1/16" (132.3 cm)
B	Width	29 3/4" (75.5 cm)
C	Depth	23 3/8" (59.3 cm)
D	Height (standard installation)	51 9/16" (131.0 cm)
E	Height (power cord)	50 5/16" (127.7 cm)
F	Length (power cord)	60" (152.4 cm)
G	Width (back)	27 3/8" (695.3 mm)
H	Width (standard installation)	28 7/16" (72.2 cm)
I	Cabinet width	30" (76.2 cm)
J	Overlap of oven	1" (2.5 cm)
K	Cutout width	28 1/2" Min. (72.4 cm) 28 5/8" Max. (72.7 cm)
L	Depth of open door	23" (58.4 cm)
M	Cutout height	51 13/16" Min. (131.6 cm) 51 15/16" Max. (131.9 cm)
N	Cutout depth	24" Min. (61.0 cm)
O	Cutout location from floor	12" (30.5 cm)
P	Height of conduit opening from floor of cutout	47" (119.4 cm)
Q	Distance of conduit opening from side of cabinet	5" (12.7 cm)

SEE INSTALLATION NOTES ON NEXT PAGE

## DIMENSIONS / CLEARANCES

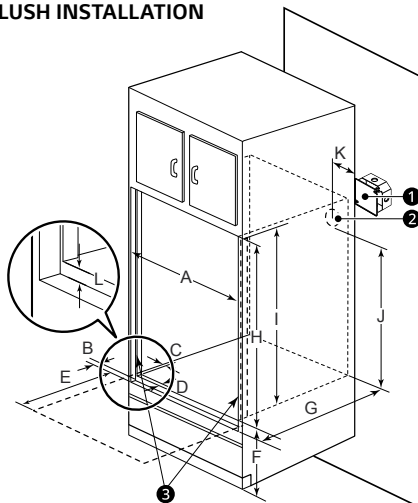
### INSTALLATION NOTES

- The cabinet base platform must be able to support 325 lbs (147 kg). If the cabinet does not have a solid bottom, two braces or runners must be installed level with the bottom of the cutout to support the weight of the oven. Make sure the base is level and the front of the cabinet is square. If the cabinet base is not level, the oven racks will tend to slide out when opening the door.
- Make sure the cabinets and wall coverings around the oven can withstand the temperature (up to 194° (90°)) generated by the oven. Discoloration, delamination or melting may occur.
- Kitchen cabinets in contact with the oven must be heat resistant up to 194°F (90°C), and fronts of nearby units up to at least 158°F (70°C).
- DO NOT remove spacers (3) on the side walls of the built-in oven. These spacers center the oven in the space provided. The oven must be centered to prevent excess heat buildup that may result in heat damage or fire.
- DO NOT put any weight on the oven door. Never allow anyone to climb, sit, stand or hang on the oven door. The oven could be tipped and injury might result from contact with hot food or the oven itself.
- DO NOT block the oven air exhaust located at the bottom of the oven. Blocking the exhaust may cause cabinet damage and product malfunction.

### NOTE

- If marks, blemishes or the cutout opening are visible above the installed appliance, it may be necessary to add wood shims under the runners and front trim until the marks or opening are covered.
- If the cabinet does not have a front frame and the sides are less than  $\frac{3}{4}$ " (1.9 cm) thick, shim both sides equally to establish the cutout width.
- The junction box (1) must be flush with the conduit opening (2) of the cabinet as shown.
- Allow at least a 23" clearance for the door depth when it is open.

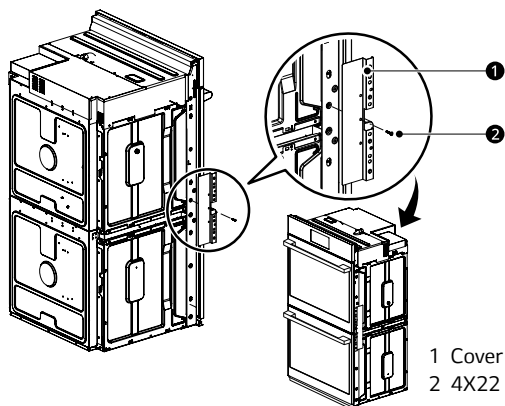
### FLUSH INSTALLATION



- 1 Junction box
- 2 Conduit opening
- 3 Cleat (Spacer)

### DIMENSIONS / CLEARANCES

A	Cutout width	30" (76.2 cm)
B	Cleat (spacer) inset from front of cabinet	1 $\frac{3}{8}$ " (3.5 cm)
C	Cleat (spacer) width	$\frac{3}{16}$ " (0.5 cm)
D	Cleat (spacer) depth	1" (2.5 cm)
E	Depth of open door	23" (58.4 cm)
F	Bottom of cutout from floor	12" (30.5 cm)
G	Cutout depth	25" (63.5 cm)
H	Cutout height	52 $\frac{5}{16}$ " (132.9 cm)
I	Cleat (spacer) height	51 $\frac{9}{32}$ " (130.3 cm)
J	Height of conduit opening from floor of cutout	47" (119.4 cm)
K	Distance of conduit opening from side of cabinet	5" (12.7 cm)
L	Bottom of bottom decorative trim to vent opening	$\frac{3}{4}$ " (1.9 cm)



- 1 Cover Bracket
- 2 4X22 Tapping Screw

### WHEN INSTALLING FLUSH CABINET

- The provided cover brackets are only used for flush cabinet installations.
- Remove one screw from the left and right sides as shown. These screw holes will be used to mount the cover brackets. Install the cover brackets on the sides of the oven with the provided self-tapping screws.

